

TO ORDER:
REPLACE SQUARES WITH SELECTION FROM EACH TABLE



TABLE 1

ORDER CODE	SHEATH DIAMETER
2	.125"
3	.188"
4	.250"
5	.313"
6	.375"

TABLE 2

ORDER CODE	SHEATH MATERIAL
P	304SS
R	316SS
Q	310SS
J	INCONEL

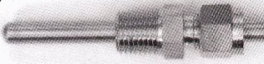

TABLE 3

LENGTH
Refer to illustration above for reference "L" dimension. Specify length in whole and fractional inches. For example: 6 1/2".

TABLE 4

SENSING ELEMENTS		(STANDARD TOLERANCE)	
RESISTANCE °C (OHMS)	ALPHA	ORDER CODE	
100	PLATINUM	.00385	P10
100	PLATINUM	.00390	P10A
200	PLATINUM	.00385	P20
200	PLATINUM	.00390	P20A
500	PLATINUM	.00385	P50
500	PLATINUM	.00390	P50A
1000	PLATINUM	.00385	P1M
1000	PLATINUM	.00390	P1MA
10	PLATINUM	.00385	P1
10	PLATINUM	.00390	P1A
100	NICKEL	.00618	N10
120	NICKEL	.00672	N12
100*	COPPER	.00427	C10
10*	COPPER	.00427	C1

TABLE 5

MOUNTING FITTING	
X = none	
ADJUSTABLE	
ADJUSTABLE IMMERSION LENGTH	
1/8 NPT	A18(*)
1/4 NPT	A14(*)
1/2 NPT	A12(*)
* - Designate "S" or "T" ferrule type.	
S = One time adjustable (metal ferrule)	
T = Readjustable (teflon ferrule)	
FIXED IMMERSION	
"X"	
	
1/8 NPT	F18(X)
1/4 NPT	F14(X)
3/8 NPT	F38(X)
1/2 NPT	F12(X)
3/4 NPT	F34(X)

Designate (X) in inches.



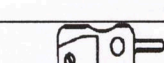



TABLE 6

ORDER CODE	TEMPERATURE RANGE
A	400 F MAX
B	700 F MAX
C	900 F MAX
D	1200 F MAX

TABLE 8

OPTIONAL ACCESSORIES
X = none
Specify "J" for optional mating jack. Consult factory for catalog section 2 for other optional connector parts..

TABLE 7

TERMINAL OPTIONS	CODE
MINIATURE PLUG FOR SHEATH DIA..125 	MP
STD. 2-POLE PLUG MAX SHEATH DIA. .250" 	P
STD. 3-POLE PLUG MAX SHEATH DIA. .375" 	3P
STD. 2-POLE PLUG W/ EXTERNAL STRAIN MAX SHEATH DIA. .375" 	PS
DUAL STD. 2-POLE PLUG W/ EXTERNAL STRAIN MAX SHEATH DIA. .375" 	D2P
STANDARD 3-POLE PLUG W/ EXTERNAL STRAIN RELIEF MAX SHEATH DIA. .375" 	3PS

Notes for above connectors:

- 1) Connectors are color coded white. High temperature connectors are colored red.
- 2) Std. connectors for use to 400 F, high temp connectors to 800 F.. Add prefix "H" for high temperature. i.e. (HP)
- 3) Change "P" to "F" for jack termination instead of plug.
- 4) Plug connectors are available with solid pin. Add suffix "SP" to code. i.e. (PSP).