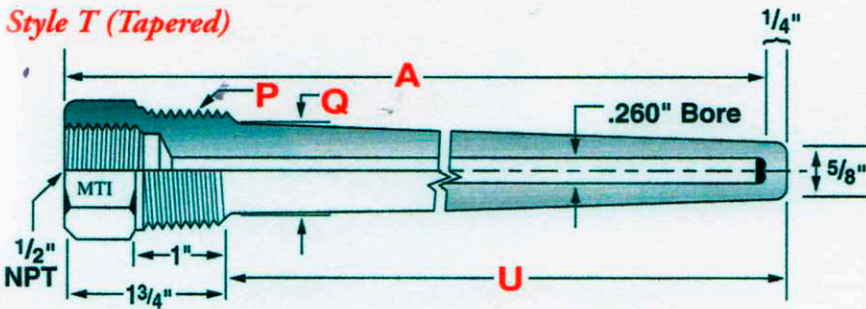
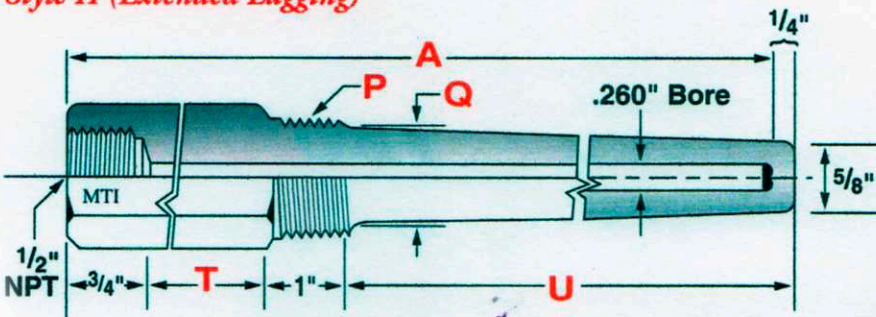


**HEAVY DUTY TAPERED (fits 1/4" diameter elements)**

**Style T (Tapered)**



**Style H (Extended Lagging)**



**Tapered Shank**

P Ext. Thread	Order Code	A Length	U Insertion	Q Shank Dia.
3/4" NPT	103T	4	2 1/2	7/8
		6	4 1/2	7/8
		9	7 1/2	7/8
		12	10 1/2	7/8
		15	13 1/2	7/8
1" NPT	109T	4	2 1/2	1 1/16
		6	4 1/2	1 1/16
		9	7 1/2	1 1/16
		12	10 1/2	1 1/16
		15	13 1/2	1 1/16
18	16 1/2	1 1/16		

**Tapered Shank (Extended Lagging)**

P Ext. Thread	Order Code	A Length	U Insertion	Q Shank Dia.	T
3/4" NPT	H103T	Determined by T value	2 1/2	7/8	SPECIFY
			4 1/2	7/8	
			7 1/2	7/8	
			10 1/2	7/8	
			13 1/2	7/8	
1" NPT	H109T	Determined by T value	2 1/2	1 1/16	SPECIFY
			4 1/2	1 1/16	
			7 1/2	1 1/16	
			10 1/2	1 1/16	
			13 1/2	1 1/16	
16 1/2	1 1/16				

Standard Insertion Lengths (U) shown... ALL other sizes available.

Easy to Order...

Need Help? (800) 255-5638

**H103T**

Order Code #

**R**

Material

- P = 304 SS
- R = 316 SS
- Q = 310 SS
- J = I 600
- B = Brass
- C = Copper
- CS = Carbon Steel
- 0 = Other Alloys

(see page 17)

**4 1/2"**

U Insertion Length (Inches)

**T 4"**

T Lagging Length (Inches)  
H Style only