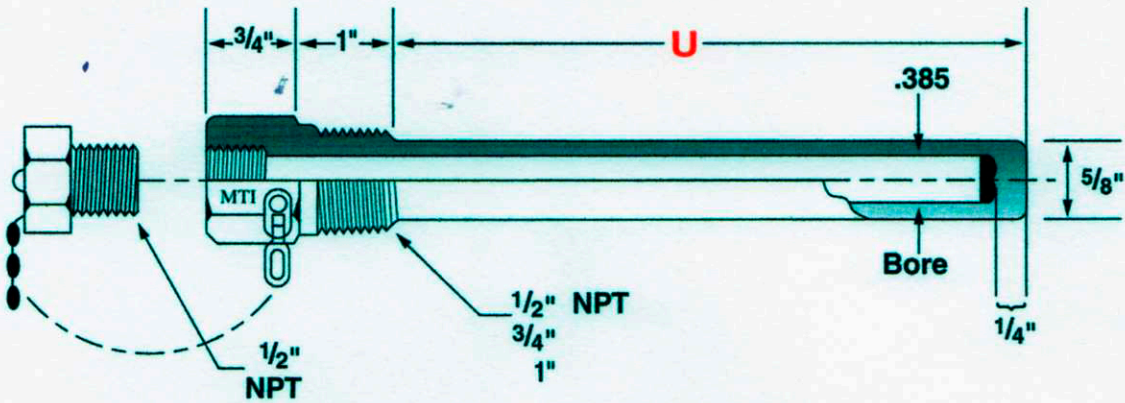


Rely on MTI...

## TEST THERMOWELL



- General purpose test well
- Plug and chain furnished

- .385 Bore standard
- Extended Lagging models available

Order Code	P Ext. Thread	Bore Size
T101	1/2"	.385
T102	3/4"	.385
T103	1"	.385

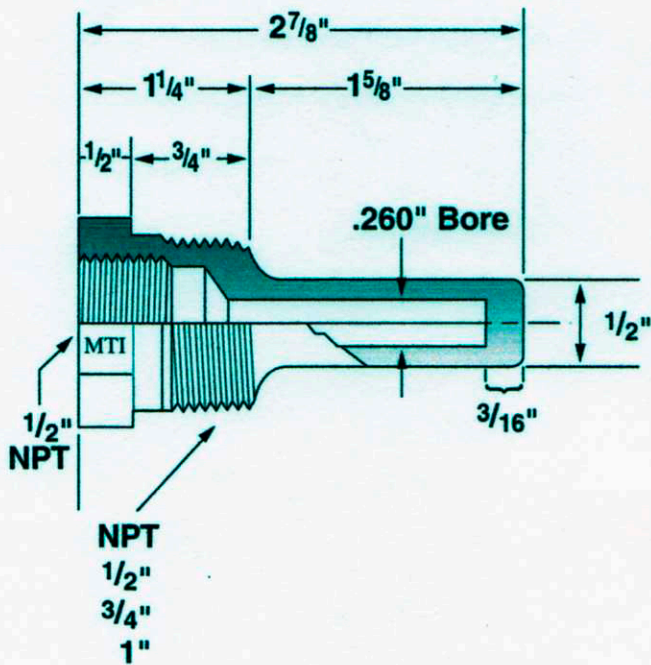
Consult MTI for information on other sizes.

Easy to Order...

**T101** - **R** - **6"**  
 Order Code #                      Material                      Insertion Length (Inches)  
 (see page 17)

Rely on MTI...

## LIMITED SPACE THERMOWELL



Order Code	P Ext. Thread	Bore Size
T101	1/2"	.260
T102	3/4"	.260
T103	1"	.260

Consult MTI for information on other sizes.

Easy to Order...

**T101** - **R** - **1 5/8"**  
 Order Code #                      Material                      Insertion Length (Inches)